

X-View

Model SD16

16 CHANNEL SDI / COMPOSITE VIDEO AUTO SENSING INPUTS
SXGA 1024 x 1280 OUTPUT



- ◆ 4 TO 16 INPUTS
- ◆ SDI/CV Auto sensing
- ◆ Mixed input Format
- ◆ UMD with Tallies
- ◆ Audio Bargraph display
- ◆ SXGA 1280 x 1024 O/P
- ◆ SDI monitoring O/P
- ◆ Component O/P option
- ◆ CV O/P option
- ◆ PiP size, position adjustable
- ◆ Ethernet control
- ◆ RS232/422 remote
- ◆ Front panel access
- ◆ 1RU frame

The X-View SD16 multiviewer provides 16 channels of signal monitoring in a compact 1RU frame. Autosensing inputs allow ease of integration into systems where the input format may be variable between SDI and Composite Video, SD16 automatically detects source type on any input BNC and configures itself automatically.

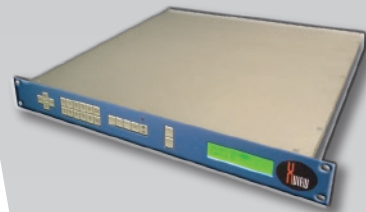
SDI with embedded audio can be monitored via bargraph displays per picture source, each input window can be resized and placed in any position on screen either from the control software or via the front panel controls, providing maximum flexibility to the user in custom layout screen creations. Window positions, sizes can be stored and recalled easily and quickly, allowing virtual monitor wall displays to be changed quickly and easily. The X-View SD16 can store and recall over 100+ pre defined layouts per unit.

The primary outputs are SXGA 1280 x 1024 to drive high resolution monitors such as computer LCD screens and projection systems, SDI outputs are provided for easy interfacing a monitoring overview channel via system routers. The high resolution output ensures optimal displayed resolution from standard definition inputs, with near full resolution display in quad mode layouts.

Optional component and Composite Video outputs are available for legacy systems and displays. Dynamic or static UMD (under monitor displays) are a standard feature of the SD16, tallies are also provided for interface to switchers or routers.

The control system is user friendly with a variety of ports to allow external control. RS232/422 ports allow integration of the unit into automation systems, the Ethernet port allows control of multiple SD16 units via PC or other control systems via network connection.

Loss of input signal warnings and alarms are provided as standard.



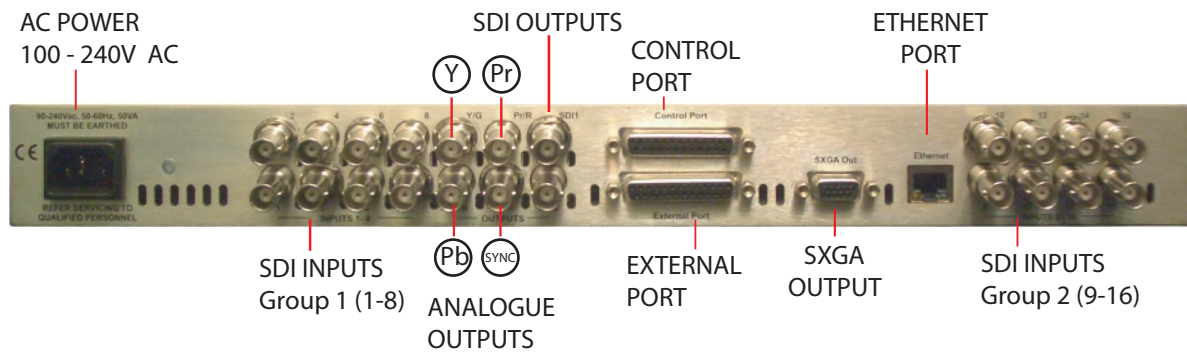
www.e-media vision.com

info@e-media vision.com

+44(0)20 8755 2014

19 Park Avenue
Hounslow
Middlesex
TW3 2NA
UK

SD16 Technical Specifications



Signal Inputs

Input : 270Mb/s serial NRZI to SMPTE RP259M. (SDI) and composite, auto detect.

Impedance: 75ohm terminating on all inputs

Connectors: BNC, one per input

Signal Outputs

Video

Main Output 1280 x 1024 SXGA

Connector HD-D type sub 15

SDI Monitor: 2 outputs, SDI 270 Mb/s serial NRZI to SMPTE RP259M

Connectors BNC

Control

Digital control RS232, RS422, GPI and text/tally control ports. TSL and Pro-Bel UMD protocol supported, others available on request.

Connector: 25 way D-type

Network control via RJ45

Layout control software included as standard

